

# WARD DAYLIGHT

## Zoom Profile Spotlights

12°-30° and 22°-50°

Preliminary data sheet

Save energy, space, weight and cost with the brightest daylight beam on the market !

- G22 axial discharge lamp 575 W / 6000 K / 1000 h or 2000 h
- Light output comparable with the one of a 2500 W daylight lamp
- 14500 lux at 10 m/12°
- Dichroic glass reflector for low glare and beam temperature
- Patented ring control of focus, zoom, iris, gobos and shutters
- Individual 360° rotation of shutters and gobos
- Access to all controls from any position around the spotlight
- Electronic flicker free ballast with integrated 24 V power supply for accessories
- Power supply: 230 V +/- 15% / 50-60 Hz
- Convection cooling -> no fan, no noise
- Lightweight, compact, robust, ergonomic

### Options

- DMX controlled mechanical dimmer
- Combined mechanical dimmer & colour changer
- Fixing plate for detachable ballast for separate hanging or standing operation
- **Fully motorized version** with all the benefits of the **WARD/M** fixture
- Universal version with power supply 90 - 264 V / 50 - 60 Hz

### Supplied with:

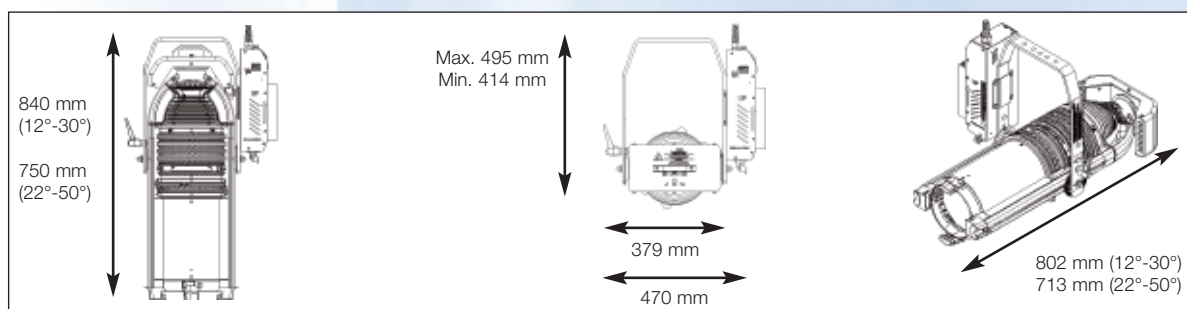
- G22 hot restrike metal halide lamp 575W-6000K-1000h-49000 lm
- Electronic Ballast with 1.6 m power supply cable (3 x 1,5 mm<sup>2</sup>) without plug
- 0,8 m connection cable from ballast and lamphouse (5 x 1,5 mm<sup>2</sup>) with industrial TYCO locking connector (4 Pin +PE)
- 1 metal filter frame
- Instruction manual



	WARD/DL 12° - 30°	WARD/DL 22° - 50°
Net weight (kg)	18	17.5
Gross weight (kg)	23.5	23
Packing (mm)	550 x 300 x 940	

10 units per pallet

### Dimensions



# WARD DAYLIGHT

## WARD / DL 12° - 30°

10	15	20	25
2.6	3.9	5.3	6.6
14500	6440	3625	2320

### At min. angle

Distance (m)	8	10	14	18
Field Ø (m)	2.8	3.4	6.2	8
Illumination (lux)	8540	5465	2790	1685

## WARD / DL 22° - 50°

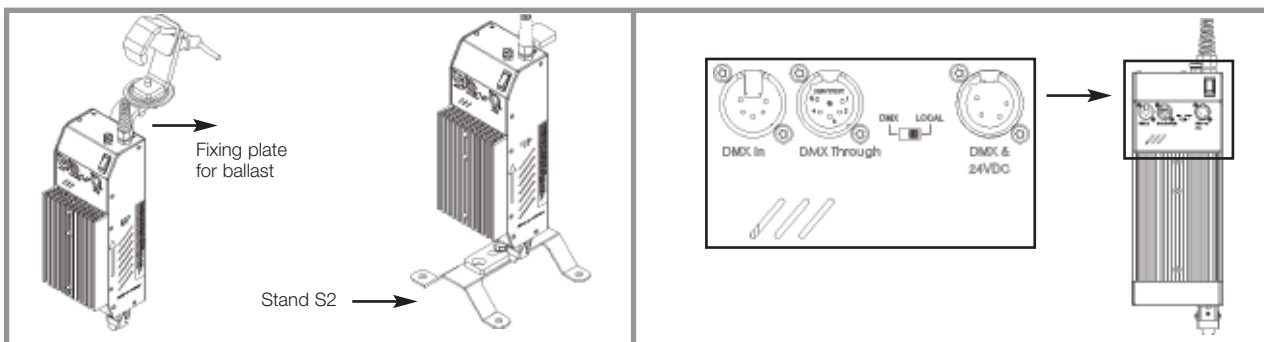
5	8	11	14
2.7	4.3	5.3	7.5
10480	4095	2165	1335

### At max. angle

Distance (m)	3	5	7	9
Field Ø (m)	2.7	4.5	6.2	8
Illumination (lux)	14000	5040	2570	1555

Typical values measured with a metal halide 575 W lamp

Ballast detachable for separate hanging or standing operation



### Reference

- WARD DAYLIGHT zoom profile 12° - 30° / 230 V
  - WARD DAYLIGHT zoom profile 22° - 50° / 230 V
  - WARD DAYLIGHT zoom profile 12° - 30° / 90 - 264 V \*
  - WARD DAYLIGHT zoom profile 22° - 50° / 90 - 264 V \*
- \* with integrated low noise fan

- WARD/DL/12-30
- WARD/DL/22-50
- WARD/DL/12-30/U
- WARD/DL/22-50/U

### Accessories

- DMX controlled mechanical dimmer with adapter plate and DMX supply cable
- Filter frame holder cassette for the mechanical dimmer
- Combo mechanical dimmer + colour changer with adapter plate and DMX supply cable
- Adapter plate for front cassette accessories
- Set of 4 cardboard filter frames (185 x 185 mm)
- Metal filter frame (185 x 185 mm)
- Safety grid (185 x 185 mm)
- Double gobo holder (rotating)
- Combined iris diaphragm & gobo holder (rotating)
- Single gobo holder (non rotating)
- Hook clamp for Ø 35 to Ø 50 mm tubes
- Hook clamp for Ø 35 to Ø 50 mm tubes
- Hook clamp for Ø 40 to Ø 60 mm tubes
- Fixing plate for ballast
- Low stand S2
- 1.2 m spotlight safety cable
- Connection cable between ballast with industrial TYCO locking connector (4 Pin +PE)
  - 5 m (5 x 1.5 mm<sup>2</sup>)
  - 10 m (5 x 1.5 mm<sup>2</sup>)
  - 20 m (5 x 2.5 mm<sup>2</sup>)

- MD/WARP
- MD/CASS
- MD/CC/WARP
- APL-CC/WARP
- PFC/185
- PFM/185
- GR/185
- SP/2GO/WARP
- SP/OR-GO/WARP
- SP-GO/WARP
- A20
- A25
- A30
- FIX/BAL
- S2
- CAS 120/N
- C/BAL/5
- C/BAL/10
- C/BAL/20

### ADB - Your Partner for Light

#### Belgium N.V. ADB-TTV Technologies S.A.

(Group Headquarters) Leuvensesteenweg 585, B-1930 Zaventem  
Tel : 32.2.709.32.11, Fax : 32.2.709.32.80, E-Mail : adb@adblighting.com

#### Deutschland ADB GmbH

Boschstrasse 3, D-61239 Ober-Mörlen  
Tel : 49.6002.93.933.0, Fax : 49.6002.93.933.33, E-Mail : info@adblighting.de

#### France ADB S.A.S.

Sales Office: 168/170, boulevard Camélinat F-92240 Malakoff  
Tel : 33.1.41.17.48.50, Fax : 33.1.42.53.54.76, E-Mail : adb.fr@adblighting.com

Factory & Group Logistics Centre: Zone industrielle Rouvroy F-02100 Saint-Quentin  
Tel : 33.3.23.06.35.70, Fax : 33.3.23.67.66.56, E-Mail : adb.fr@adblighting.com

**ADB**  
Lighting Technologies

DS-6203-E-05K Subject to modifications